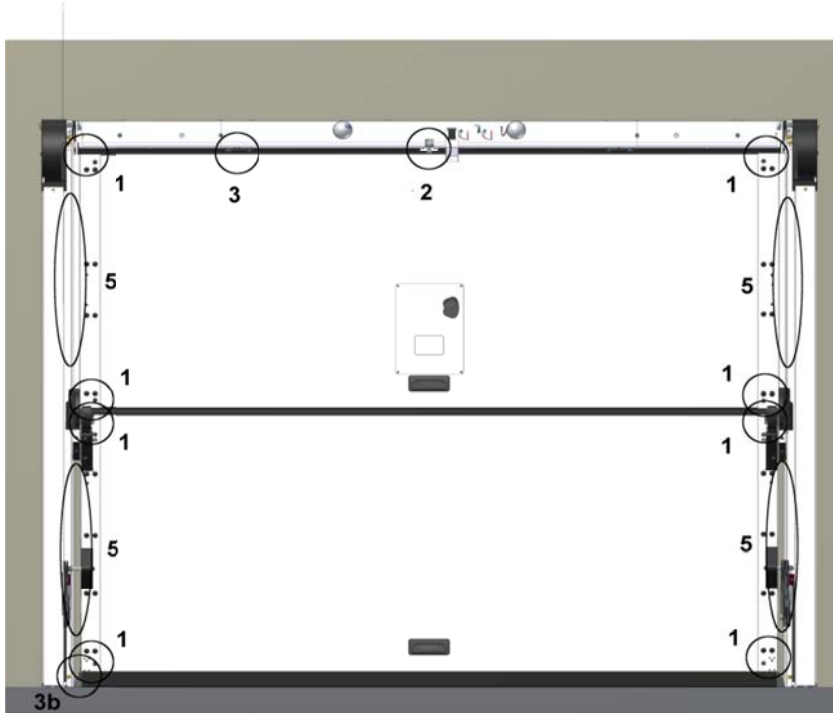


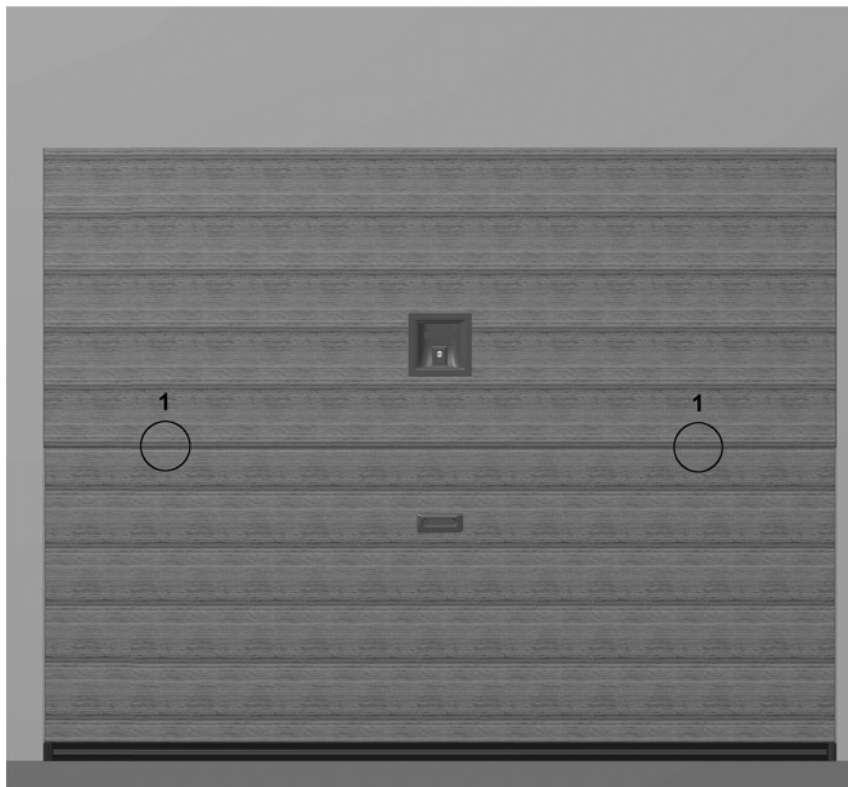
SILVELOX

SECURLAP: CHECKLIST CORRECT INSTALLATION

Internal view



External view



SILVELOX

1. CHECK ALIGNEMENT PANELS

- Check space between 2 panels: it must be the same from right to left. (fig. 1).
- Check alignment panels and upright arms. Panels must be aligned to upright arms on which they are fixed (fig. 2).

Fig. 1

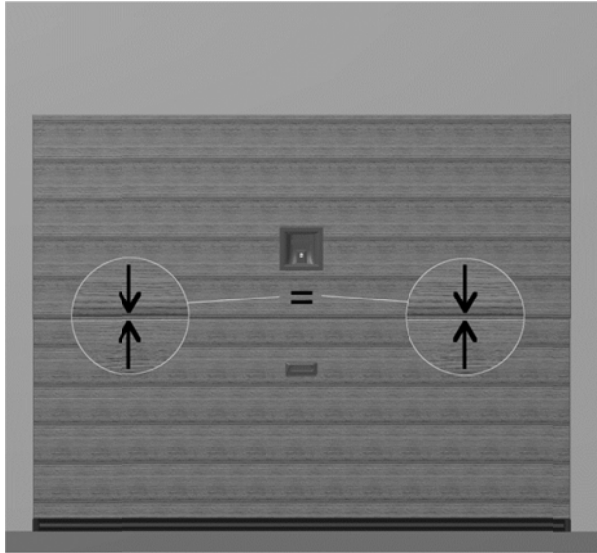
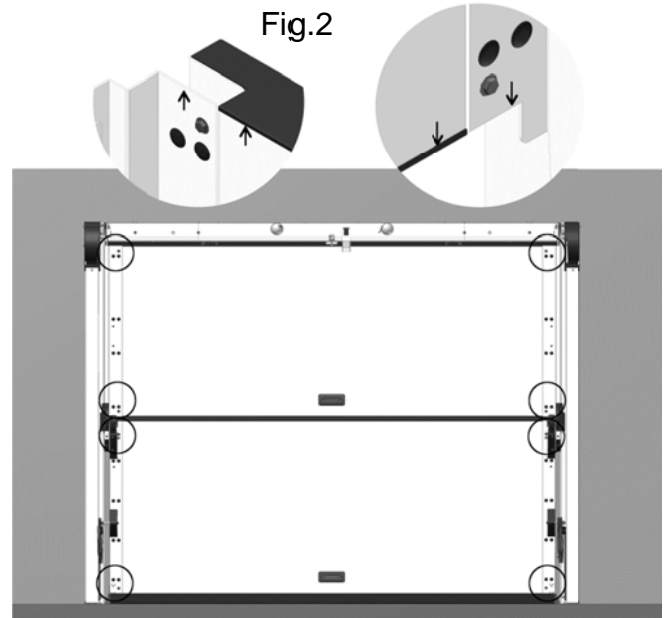


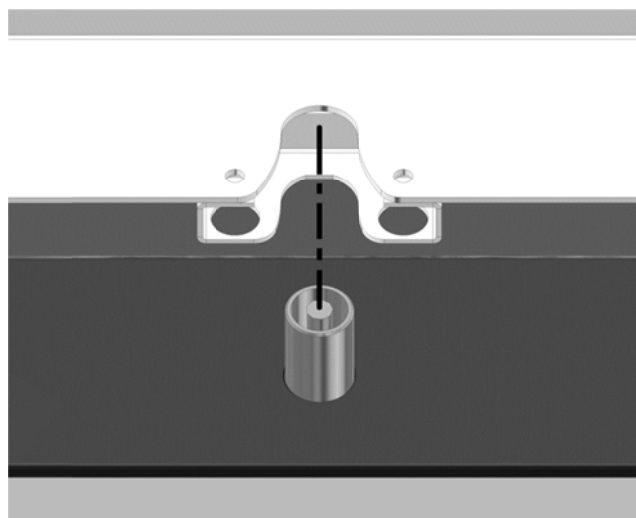
Fig.2



2. CHECK BOLT OPEN CENTRAL

- The central unblock bolt must match its top casing in the crossbar (fig. 3). If not : check the panel alignment (fig. 1) and to be plumb.

Fig. 3

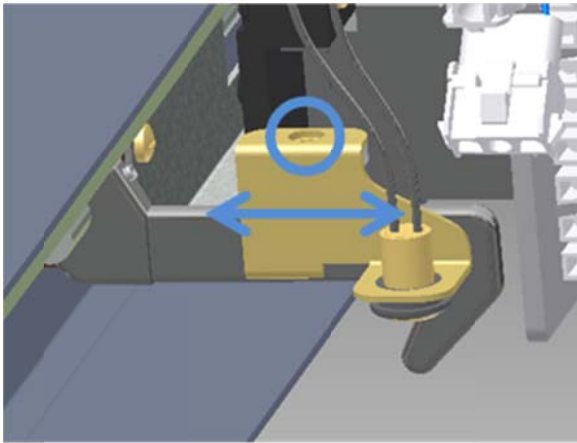


3. CHECK ALIGNMENT SIGNAL END OF RUN OPEN & CLOSE

SILVELOX

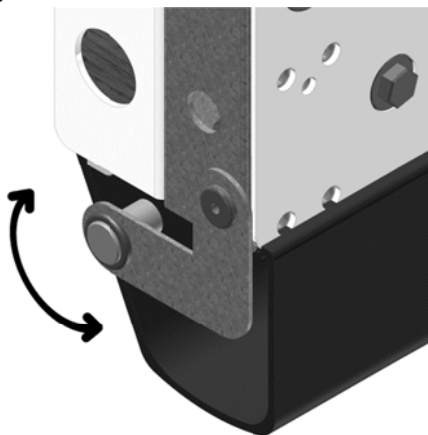
- a. Limit switch door closed must be positioned at a distance of 6 mm from the magnet positioned on the latches. Can be adjusted changing the position at closed door. (fig. 4):
- ✓ Find the switch positioned on the latch close to the electronic control unit;
 - ✓ Loosen the screw that fixes the micro switch support;
 - ✓ regulate the position of the micro switch until aligned and a distance of 6 mm between magnet and microswitch.

Fig. 4



- b. Limit switch door open : to function the contact magnet of the limit switch open door must be positioned at a distance of 6 mm from the relative micro switch. It can be adjusted changing the position of the magnet on the bottom left side, internal view of the bottom panel.:
- ✓ Open the door and position the bottom panel at a height 1.5 m from ground;
 - ✓ Find the magnet support and change the position;
 - ✓ Verify the position moving manually the door.

Fig. 5



4. CHECK FUNCTIONING MANUAL DOOR (OPEN/CLOSE)

SILVELOX

- a. Opening manually the door, the top panel must open 30°/40°. If it does not open charge springs fixed on panel in central position.

Fig. 6

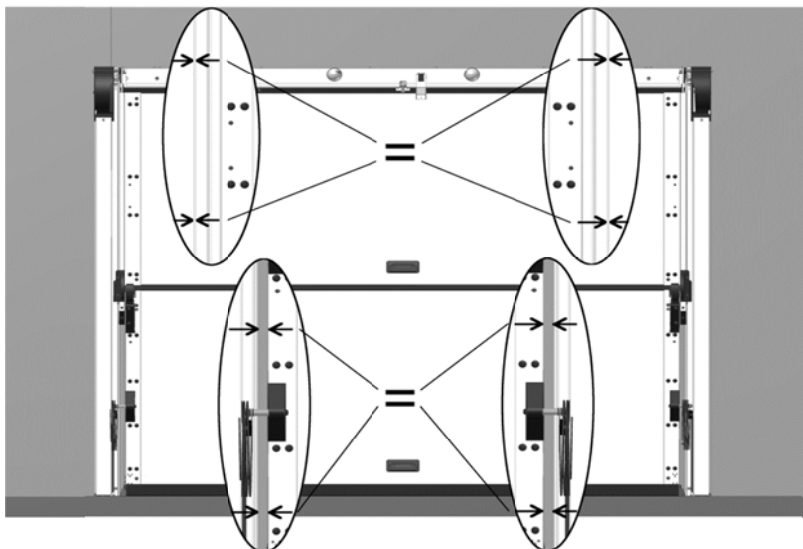


- b. Open the door manually. When panels are at 90°, they must hook to one another and slide with no obstruction.
- c. Open the door completely. The door must stay open without dropping. Of the panels drop add weight in the counterweights of the bottom panel. .

5. CHECK SPACE BETWEEN UPRIGHTS & PANELS

- a. Check space between uprights and panels. On both sides there must be 2/3 mm of space (fig.7).

Fig. 7



6. CHECK FUNCTIONING MOTORISED DOOR (OPEN/CLOSE)

SILVELOX

- a. The door unlocks but does not open, charge the springs as section 4a.
- b. With door open panels do not begin to close. Regulate the screw change the the point where the lifting arms hook (fig. 8 & 9).
- c. The door arrives to the ground but does not complete closure and reopens.
 - i. Check micro switch limit closure as in point 3
 - ii. Check latch on panel as in point 3
 - iii. Regulate closure strap
 - iv. Regolare closure matches

Fig. 8



Fig. 9

